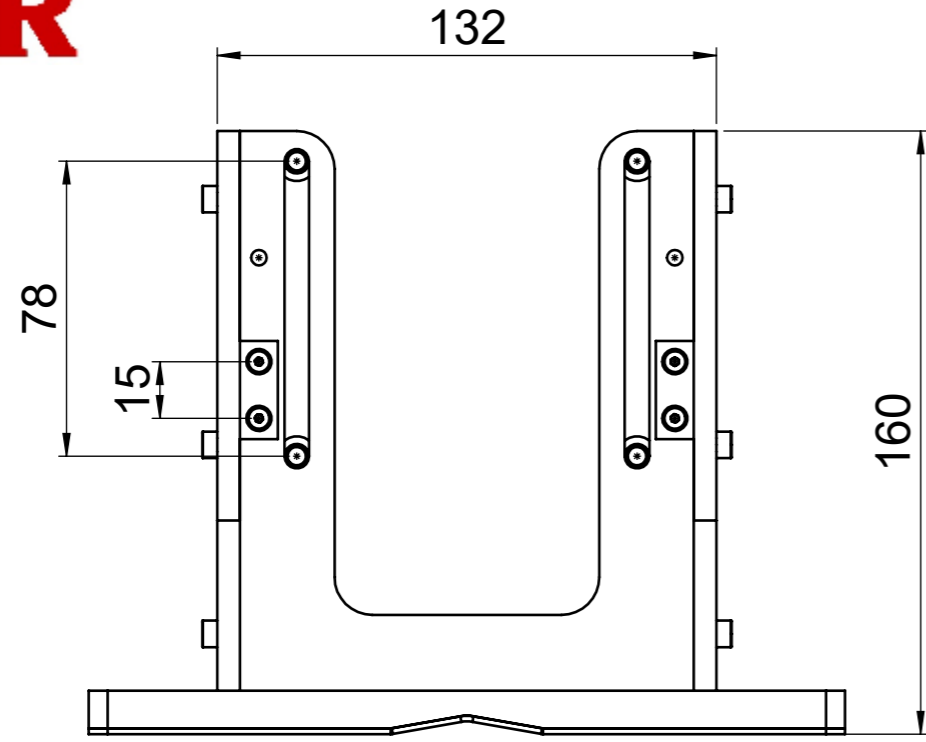


**PRYOR**

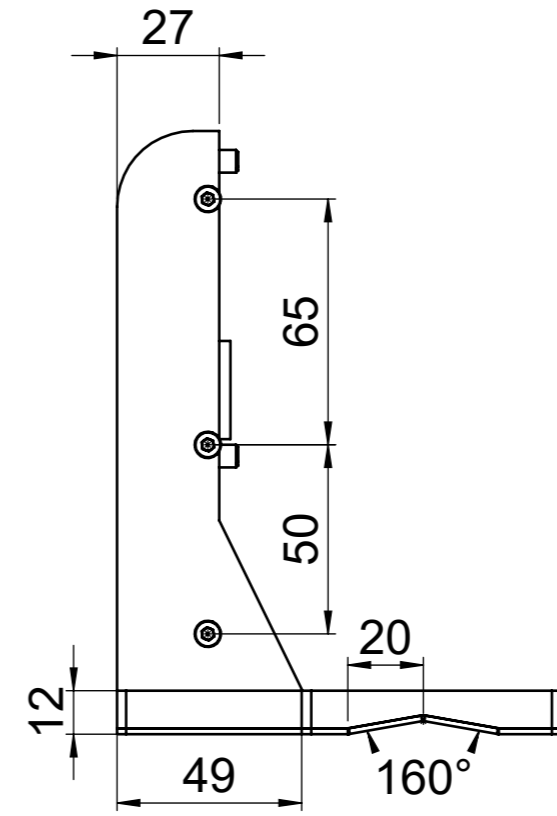
DRG NO:

10031160

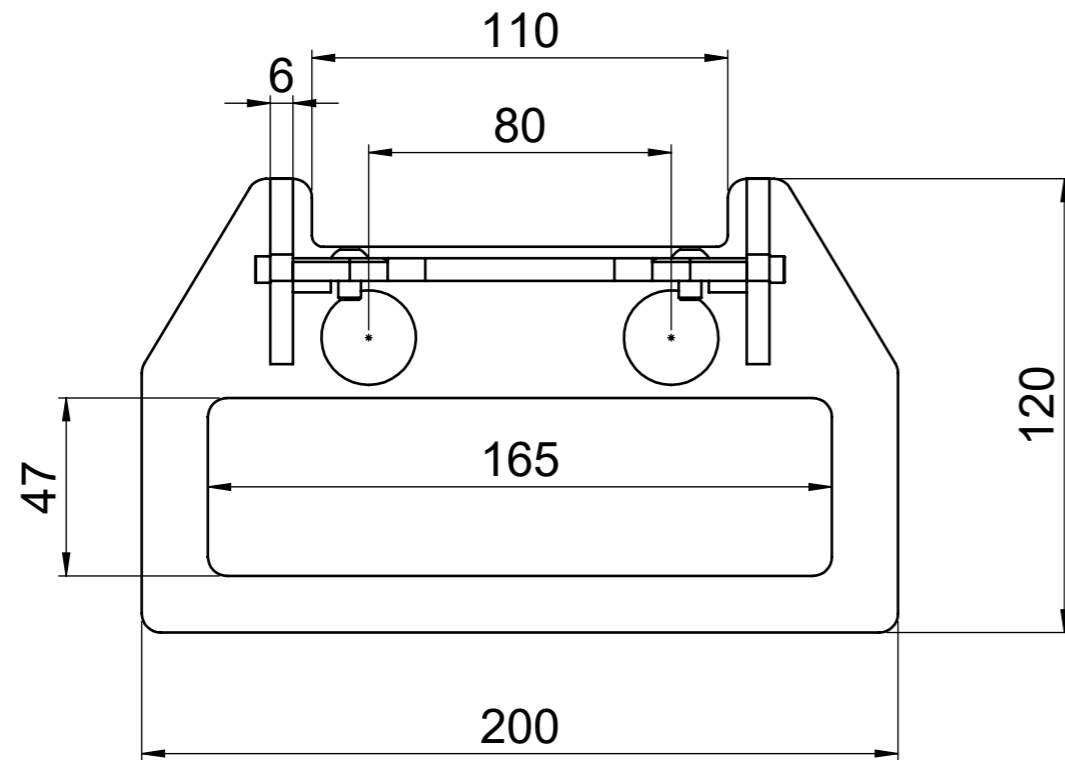
Standard P130-30 V-Mask



**FRONT VIEW**

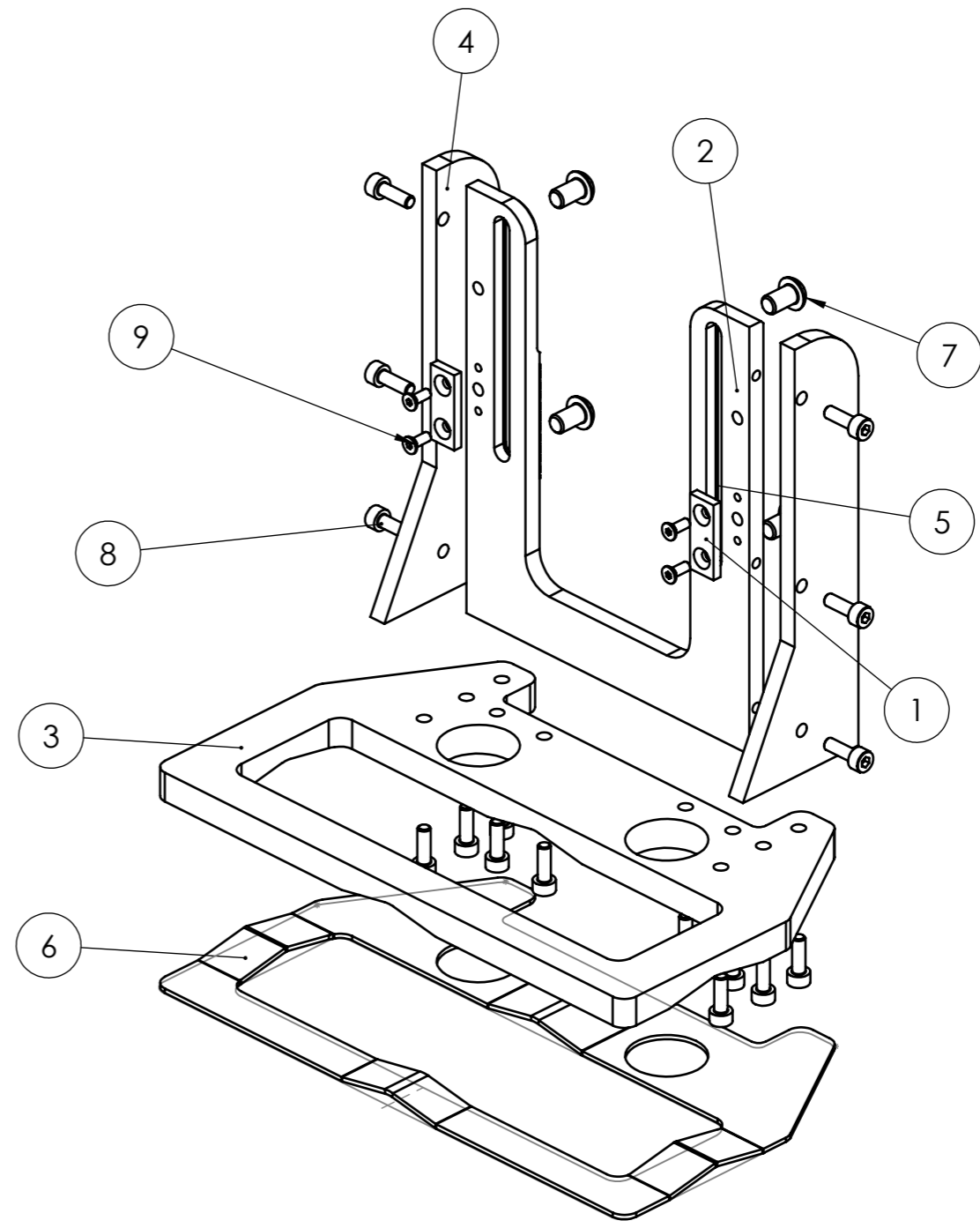


**SIDE VIEW**



**TOP VIEW**

# Work In Progress



Item No.	Part Number	Description	Qty.	StockCode
1	10027700	Location tenon	2	10027700
2	10028488	Mask Support	1	10028488
3	10028489	130-30 mask	1	10028489
4	10028490	Reinforcing rib	2	10028490
5	10028493	Wear Plate	2	10028493
6	10040096	130-30 Self Adhesive Rubber Mask	1	10040096
7	BUTSC028	M6 x 10 Button Head Socket Screw (ISO)	4	BUTSC028
8	CAPSC009	M4 x 12 Cap Head Socket Screw (ISO)	16	CAPSC009
9	10018949	M3 x 8 Countersunk Head Socket Screw	4	COUSC003

REV	DATE	REV BY	DESCRIPTION
3	05/09/2018	ndawson	
2	03/08/2015	CKeatTan	Added self-adhesive rubber mask
1	16/06/2015	charrop	Added tenon to BOM
0	24/09/2013	charrop	Initial Revision
	-	-	

**PRYOR**  
 © Edward Pryor & Son Ltd 2006

EDWARD PRYOR & SON LTD  
 EGERTON STREET,  
 SHEFFIELD, S1 4IX  
 TEL: +44 (0) 114 2766044  
 FAX: +44 (0) 114 2766890  
 enquiries@pryormarking.com  
 www.pryormarking.com

GENERAL TOLERANCE  
 NO DECIMAL PLACES +/- 0.5mm  
 ONE DECIMAL PLACES +/- 0.1mm  
 TWO DECIMAL PLACES +/- 0.03mm  
 THREE DECIMAL PLACES +/- 0.005mm  
 ANGULAR DIMENSIONS +/- 0.25 degree

GENERAL FLATNESS TOLERANCE  
 0-100mm, 0.2mm  
 100-750mm, 0.5mm  
 750+mm, 1.0mm

MATERIAL:  
 FINISH:  
 TREATMENT:

TITLE: Standard 130-30 mask

CREATED BY: charrop RELEASED BY: -  
 CREATED ON: 24/09/2013 RELEASED ON: -

DRG NO: 10031160 REV 3

SIZE: A3 SCALE: 1:2 UNITS: mm UOS SHEET: 3 OF 3