

4000 Series Integrator Controller

10.4" touchscreen
 USB back-up and saving
 Live preview of marking layout
 Up to 4 I/O cards

4000 Series Controller drives all Pryor Dot Peen and Scribe marking machines. Industrial grade 10.4" resistive touch screen – usable with gloves. Familiar menu structure from Pryor 3000 Series controllers.

Integrator version designed for vertical, panel mounting, ideal for production lines and cells.

Greater I/O capacity for complex control systems – 16 inputs and 12 outputs as standard, with options for up to 32 inputs and 24 outputs.



STANDARD FEATURES

- Resistive, 10.4" touchscreen – usable with gloves
- Two axis control (X-Y marking directions), with robust high-power motor drivers
- USB type A, USB type B and RS232 ports, for connecting to optional USB memory stick, barcode scanner, USB keyboard and PC. Firmware updates via USB stick.
- I/O boards providing 16 inputs and 12 outputs
- Integrated help animations to demonstrate common functions
- 110V or 230V mains power supply
- Password security for all menu items
- Data logging to .csv file on USB stick or internal memory
- Duplicate check of last 100 marks within 1 of 5 different logs of marks
- Live view of layout during jogging / drag and drop repositioning of layout

APPLICATIONS

- Control of all Dot Peen and Scribe marking machines - bench-mount, portable and integration models
- Connection of marking machines to PC for use of windows-based software control
- Ideal for integrator marking machines that are built into a marking cell or production line application
- Vertical panel mount fixing

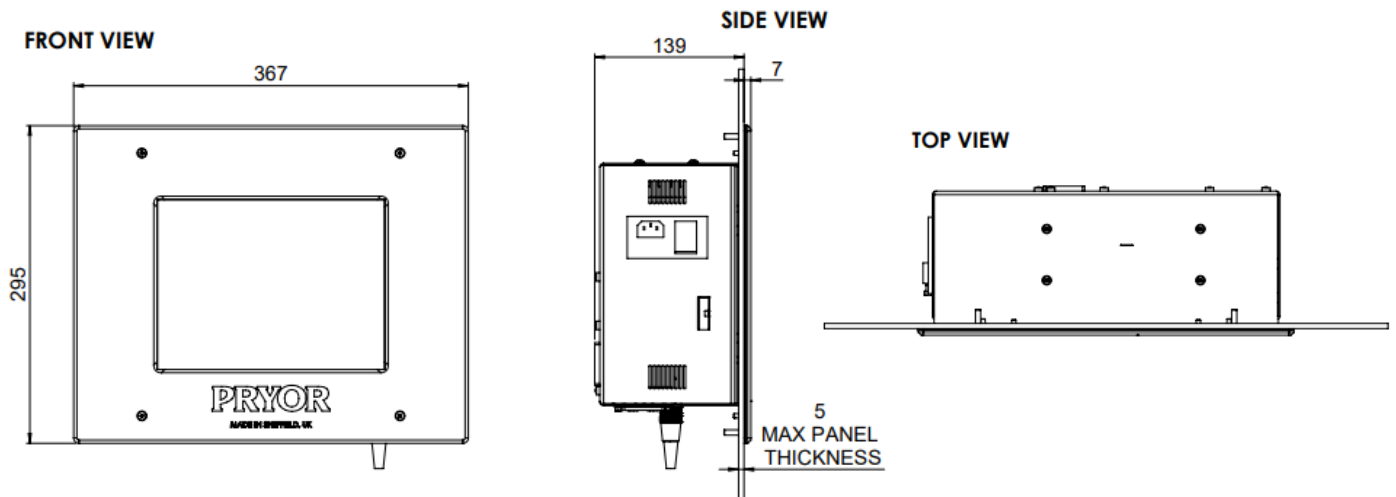
OPTIONAL VERSIONS

Benefits / Requirements

Option code

OPTIONAL VERSIONS	Benefits / Requirements	Option code
4-axis control (Z-C)	Required for powered vertical Z axis and/or circumferential fixtures	OPTCTAX
3x 24V I/O boards	Providing total of 24 inputs and 18 outputs	OPTCTIN03
4x 24V I/O boards	Providing total of 32 inputs and 24 outputs	OPTCTIN04
TCP/IP Ethernet module	Port for Ethernet connection to PC / network	OPTCTIP
Anybus module	Port for Profibus, Profinet, ModBus, DeviceNet, EtherCAT	OPTCTAB

TECHNICAL DATA		● Standard ○ Optional	Product / Option Code
Dimensions	W: 367mm, H: 295mm, D: 139mm Panel hole for mounting – W: 360-362mm, H: 256-258mm	●	-
Weight	4.5kg	●	-
Connections	x-y axis control, USB-A, USB-B, RS232, Start/Stop box, External e-stop z-c axis control TCP/IP Ethernet Anybus	● ○ ○ ○	- OPTCTAX OPTCTIP OPTCTAB
Construction	Plastic front cover, aluminium casing and metal internals	●	-
Operating temperature	0°C - 80°C (32°F - 176°F)	●	-
Supply requirements	230V 50Hz / 110v 60Hz	●	-
Screen	10.4" resistive touchscreen – can be used with gloves / stylus pen	●	-
Marking type	5 x 7, 7 x 9, Varidot, Angled, Arc, logos, Data Matrix, Serial numbers, Reverse marking, Variables, etc.	●	-
Languages	English, German, French, Italian, Spanish, Portuguese, Swedish, Finnish, Russian, Polish, Czech, Dutch, Chinese	●	-



COMPATIBLE ACCESSORIES	Description	Product Code
USB keyboard	For use of controller without touchscreen	ACCCTK
External e-Stop	For activating emergency stop of marking remotely to controller	ACCCTES
Start-Stop box	Green and Red button start and stop of marking programme	ACCCTSS
Barcode Reader	RS232 barcode scanner to select programme or input marking data	VISBRRS
Data Matrix Reader	USB Data Matrix scanner to select programme or input data	VISCRUSB