

PortaDot P100-75

Marking Window
100mm x 75mm

Weight
11.7kg

A heavyweight, hand-held Dot Peen marking machine. X and Y linear rails provide high precision, deep marking in a hand-held unit

The extra size and weight of the unit ensure there is no movement during marking. Ideal for large, hard components in heavy industrial applications

Using the 4000 embedded controller, it benefits from all advanced marking features available.



STANDARD FEATURES (MCYPD1075E)

- 4000 Embedded Controller
- Electromagnetic solenoid driven Dot Peen marking
- 90° stylus, 50mm long, 4mm diameter, carbide tip
- Supplied with a set of flat and V-notched face masks suitable for marking on flat surfaces and curved surfaces from 0mm to 400mm diameter depending on mask used
- 5m detachable head cable connecting marking head to 4000 controller, air lines
- All sided handles for handling marker in both orientations

APPLICATIONS

- Immobile, large/heavy components
- Rail
- Oil and gas
- Pipeline
- Casting / forging
- Chassis and engine VIN marking

OPTIONAL VERSIONS

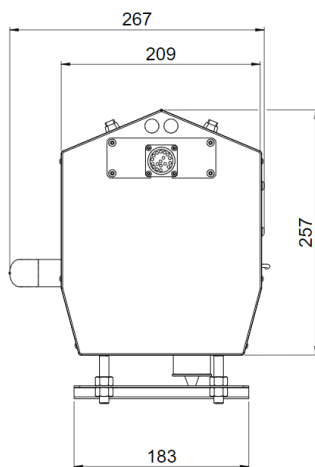
Benefits / Requirements

Option code

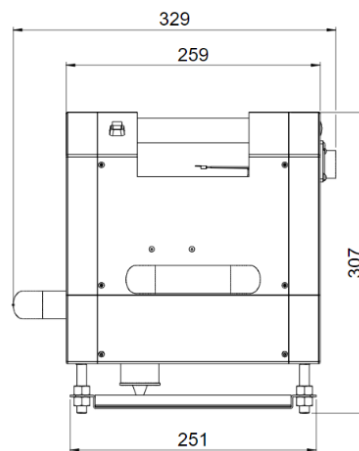
Battery powered controller	Controller is portable, does not require mains power	OPTPD1075B
PC based software control	Drag and drop editor, user admin rights, connectivity	OPTM2019A
Electromagnetic Clamping	Reduced possibility of movement during marking	OPTPD1075EC
Pneumatic power	Deeper marking. Requires compressed air supply	OPTPD1075D
Alternate nosepiece/stylus	Wider / shallower tip angle, IAQG spec, longer	-
Integrated camera	Verification of mark quality; requires PC and software Automatic alignment of mark against existing features	OPTVISRS/VS

TECHNICAL DATA		● Standard ○ Optional	Product / Option Code
Marking area	100mm x 75mm	●	MCYPD1075E
Weight	Head = 10.7kg, cable = 1kg, Series 4000 Controller = 5kg	●	MCYPD1075E
Dimensions	W: 329mm H: 307mm D: 267mm	●	-
Nosepiece & stylus	Electric solenoid - 50mm long, 4mm diameter, 90° stylus tip, carbide Various alternatives available	● ○	-
Controller/supply requirements	Controller 4000 4000-BA Supply requirements 230V 50Hz / 110V 60Hz 36V 3.0Ah rechargeable Li-Ion battery 6 bar (87psi) non-lubricated, dry	● ○ ○	MCYPD1075E OPTPD1075B OPTPD1075D
Head cable length	5m	●	2068HOC
Construction	Aluminium internals and cover	●	-
Operating temperature	0°C - 80°C (32°F - 176°F)	●	-
Workpiece hardness	Max. 62 HRC (800HV)	●	-
Marking type	5x7, 7x9, Varidot, HPGL, BMP Logos, True Type Fonts, Data Matrix	●	-
Character sizes	0.18mm - 99.9mm in 0.18mm increments	●	-
Component diameters	0mm - 40mm 40mm - 180mm 180mm - 400mm	● ● ●	119PV84C 119PV71C 119PV72C

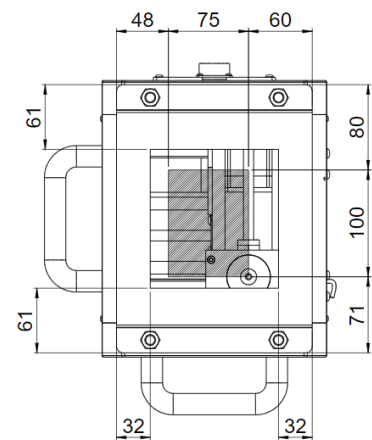
SIDE VIEW



FRONT VIEW



BOTTOM VIEW



All measurements in mm unless otherwise stated

COMPATIBLE ACCESSORIES	Description	Product Code
Barcode Reader	RS232 barcode scanner to select programme or input marking data	VISBR001
Custom Facemasks	Custom designed facemasks for marking specific components	-